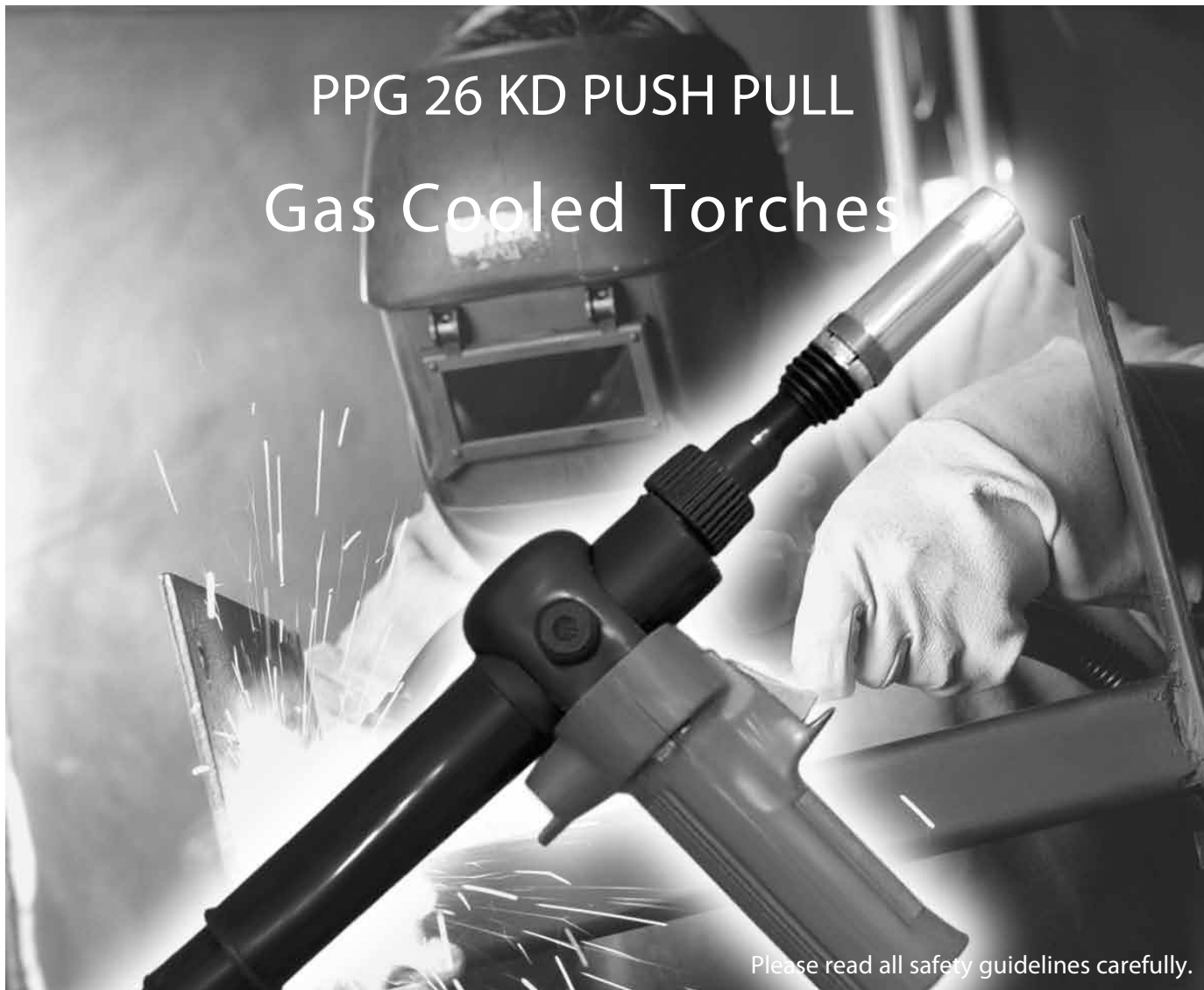


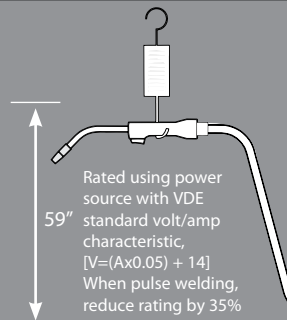
PPG 26 KD PUSH PULL Gas Cooled Torches



Please read all safety guidelines carefully.

PPG 26 KD Gas Torches Gas - cooled with Bikox® and central connector GZ-2

Cooling:	GAS - Cooled Duty Cycle:	60%	Weight:	74 oz.
Rating:			Wire Sizes	
Co2 Gas: 240 Amperes	Inches:	.024" - .062"		
Mixed Gas: 220 Amperes	Millimeters:	0.6 - 1.6 mm		



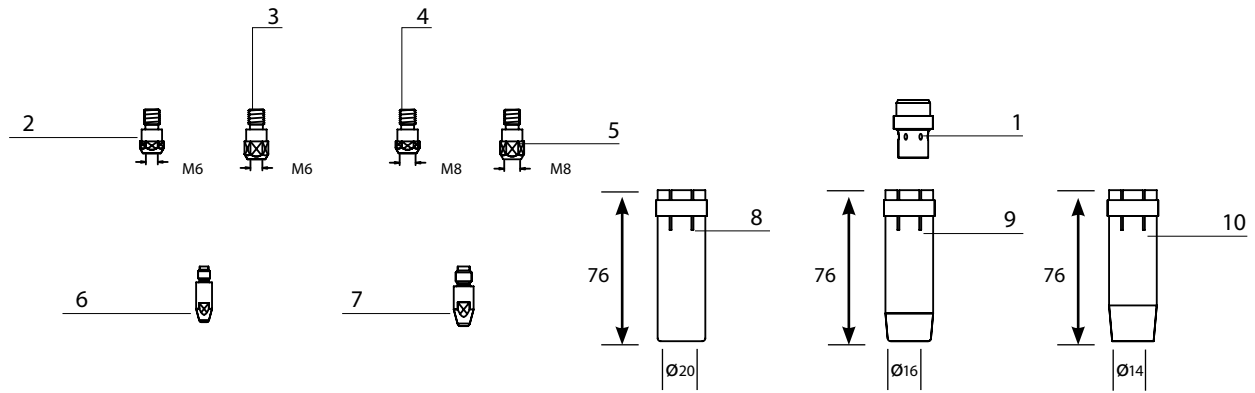
Model	Length	Handle Version	45 degree Part No.	180 degree Part No.
PPG 26 KD	10'	Pistol Grip	081.9004	081.9001
	15'	Pistol Grip	081.9005	081.0049
	25'	Pistol Grip	081.0035	081.0033

The Abicor Binzel® Universal Power Supply (P/N 080.9067) provides torque-sensitive regulated power to the Push-Pull motor. Please order separately.

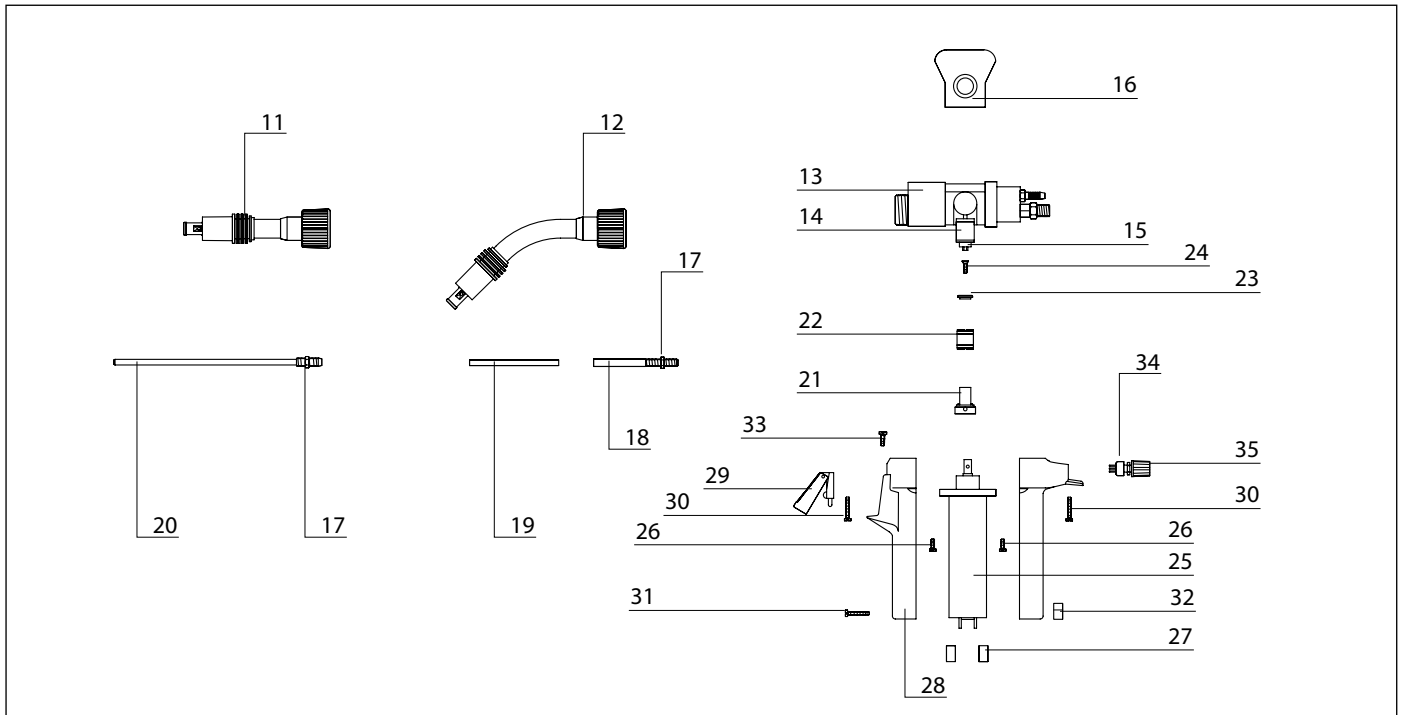
* NOTE: If using a crater-fill mode please contact Abicor Binzel product department at 1-800-542-4867 for an alternative power supply recommendation. The PPG 26 KD will fit any commercially available wire drive unit fitted with an Abicor Binzel Adapter kit and does not require an integrated wire drive unit which means lower capital investment when fitted to existing equipment.

★ Please contact our Product Department at 1.301.846.4196. ext 712 for further information.



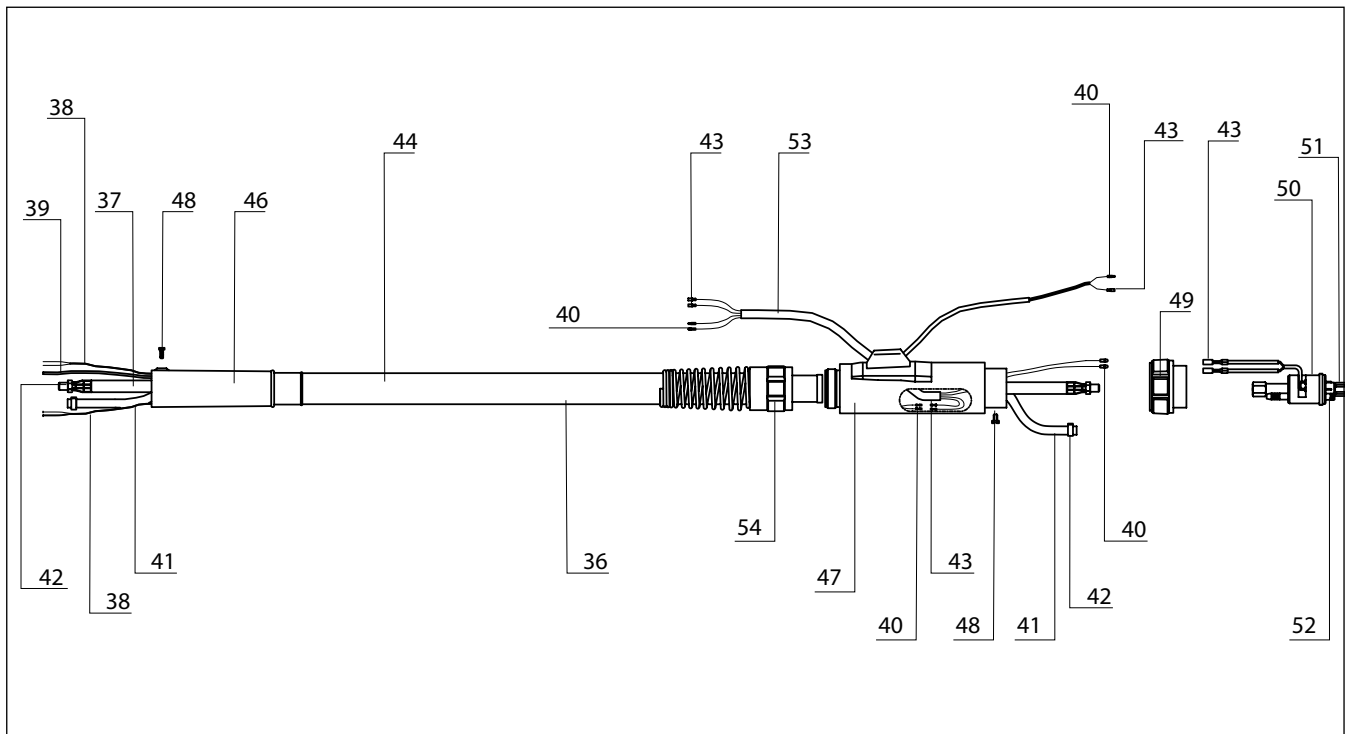


ITEM NO.	DESCRIPTION	SPECIFICATIONS	PART NUMBER
1	Diffuser MB 26/PPG 26, Factory Set-up	10 Pieces	018.0116
2	Holder Tip M6 Spray Arc 26, Factory Set-up	10 Pieces	142.0007
3	Holder Tip M6 Short Arc 26	10 Pieces	142.0012
4	Holder Tip M8 Spray Arc 26	10 Pieces	142.0082
5	Holder Tip M8 Short Arc 26	10 Pieces	142.0026
6	Contact Tip 030" M6 AL 069 (Standard for Aluminum)	25 Pieces	141.0001
	Contact Tip 035" M6 AL 069 (Standard for Aluminum)	25 Pieces	141.0004
	Contact Tip 040" M6 AL 069 (Standard for Aluminum)	25 Pieces	141.0006
	Contact Tip 045" M6 AL 069, Factory Set-up, (Standard for Aluminum)	25 Pieces	141.0010
	Contact Tip 052" M6 AL 069 (Standard for Aluminum)	25 Pieces	141.0019
	Contact Tip 062" M6 AL 069 (Standard for Aluminum)	25 Pieces	141.0020
6	Contact Tip 024" M6 CU 069 (Standard)	25 Pieces	140.0005
	Contact Tip 030" M6 CU 069 (Standard)	25 Pieces	140.0051
	Contact Tip 035" M6 CU 069 (Standard)	25 Pieces	140.0169
	Contact Tip 040" M6 CU 069 (Standard)	25 Pieces	140.0242
	Contact Tip 045" M6 CU 069 (Standard)	25 Pieces	140.0379
	Contact Tip 052" M6 CU 069 (Standard)	25 Pieces	140.0516
	Contact Tip 062" M6 CU 069 (Standard)	25 Pieces	140.0555
7	Contact Tip 030" M8 CU 262 (Optional)	25 Pieces	140.0114
	Contact Tip 035" M8 CU 262 (Optional)	25 Pieces	140.0214
	Contact Tip 040" M8 CU 262 (Optional)	25 Pieces	140.0313
	Contact Tip 045" M8 CU 262 (Optional)	25 Pieces	140.0442
	Contact Tip 052" M8 CU 262 (Optional)	25 Pieces	140.0533
	Contact Tip 062" M8 CU 262 (Optional)	25 Pieces	140.0587
7	Contact Tip 030" M8 AL 262 (Optional)	25 Pieces	141.0003
	Contact Tip 035" M8 AL 262 (Optional, for Aluminum)	25 Pieces	141.0043
	Contact Tip 040" M8 AL 262 (Optional, for Aluminum)	25 Pieces	141.0008
	Contact Tip 045" M8 AL 262 (Optional, for Aluminum)	25 Pieces	141.0075
	Contact Tip 052" M8 AL 262 (Optional, for Aluminum)	25 Pieces	141.0055
	Contact Tip 062" M8 AL 262 (Optional, for Aluminum)	25 Pieces	141.0022
8	Nozzle Cylindrical 26/38/501	5 Pieces	145.0051
9	Nozzle Conical Standard 26/38/501, Factory Set-up	5 Pieces	145.0085
10	Nozzle Conical Small 26/38/501	5 Pieces	145.0132
Not Shown	Nozzle Conical Heavy Duty 26/38/501	5 Pieces	145.0086
Not Shown	Nozzle Spot Weld 26/38/501	5 Pieces	145.0179

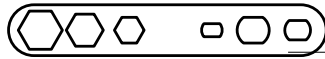


ITEM NO.	DESCRIPTION	SPECIFICATIONS	PART NUMBER
11	Swanneck PPG 26 KD 180 degrees		081.0002
12	Swanneck PPG 26 KD 45 degrees		014.0095
13	Body PPG with Hardware (Includes items 14, 15, 16)		081.0104
14	Idler Arm (Includes 15), Note: Requires pin 000.0636		080.0007
15	Bearing Idler PPG 26/PPW 401		080.0042
Not Shown	Pin for Idler Arm		000.0636
16	Cap Drive Roll with Hardware		080.0122
17	Nut Hex M6	10 Piece	081.0018
18	Guide Wire	For use with 45 degree swanneck	081.0016
19	Liner Teflon 024" - 030" 15cm BL	For use with item 18	125.9001
	Liner Teflon 035" - 045" 15cm RD	For use with item 18	125.0012
	Liner Teflon 052" - 062" 15cm YW, Factory Set-up	For use with item 18	125.9003
	Liner Brass 024" - 035" (flexible)	Per foot	120.0018
	Liner Brass 040" - 062" (flexible)	Per foot	120.0041
20	Guide Wire	For use with 180 degree swanneck	081.0017
21	Seat Drive Roll Complete	Includes pins and screws	080.0016
22	Drive Roll for 024" Wire		080.0018
	Drive Roll for 030" Wire		080.0019
	Drive Roll for 035" Wire		080.0048
	Drive Roll for 040" Wire		080.0021
	Drive Roll for 045" Wire		080.0022
	Drive Roll for 052" Wire		080.0025
	Drive Roll for 062" Wire		080.0023
	Drive Roll for 045" Wire Knurled		080.0127
	Drive Roll for 062" Wire Knurled		080.0126
23	Washer Drive Roll Screw		080.0017
24	Screw Flat Head M3 x 10	10 Pieces	009.0183
25	Gearmotor Push-Pull 42VDC	Includes items 21, 23-24, 27	080.0010
26	Screw Slotted Head	10 Pieces	000.0543
27	Brush Commutator Gearmotor replacment	2 Pieces required	080.0046
28	Handle Push-Pull (complete includes: 29 thru 33)		180.9005
29	Switch Trigger Standard		185.0005
30	Screw Slotted Head M3 x 20 F/Handle	10 Pieces	069.0003
31	Screw Slotted Head M4 x 25	10 Pieces	000.0560
32	Nut Hex M4	10 Pieces	009.0172
33	Screw Sheet Metal M2.9 x 6.5	10 Pieces	079.0003
34	Potentiometer 4.7 Kohm	Call for additional selections	187.0003
	Potentiometer 10 Kohm	Call for additional selections	187.0004
35	Knob Potentiometer with cap		400.0108

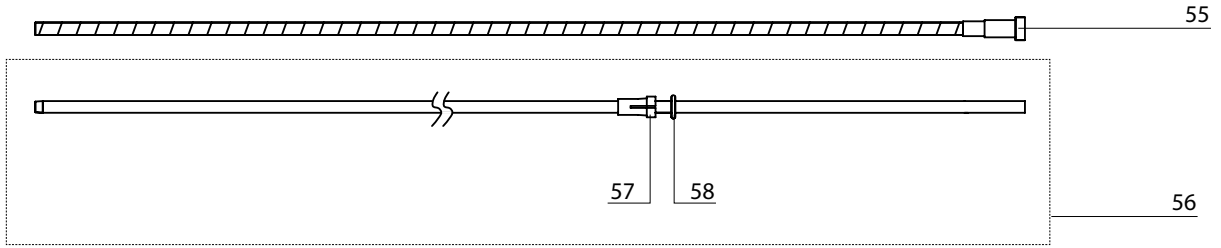
*Knurled Drive Rolls are recommended for large, stiff, and/or difficult to feed wires.



ITEM NO.	DESCRIPTION	SPECIFICATIONS	PART NUMBER
36	Cable Assembly PPG 26 10' (includes 37, 38, 39, 40, 41, 43, 44)		080.9001
	Cable Assembly PPG 26 15' (includes 37, 38, 39, 40, 41, 43, 44)		080.9002
	Cable Assembly PPG 26 25' (includes 37, 38, 39, 40, 41, 43, 44)		080.0074
37	Bikox® 50 10' PPG 26		160.9014
	Bikox® 50 15' PPG 26		160.9121
	Bikox® 50 25' PPG 26		160.9120
38	Wire 2 Conductor Bulk	Per foot	100.0019
39	Wire 3 Conductor Potentiometer	Per foot	100.0023
40	Connector Male Trigger	10 Pieces	175.0004
41	Gas Hose, Black 4.5 x 7.5mm	Per foot	109.0040
42	Hose Clamp 8.7mm	10 Pieces	171.9002
43	Connector Female Trigger	10 Pieces	175.0003
44	Cover Cable Outer 10' Complete		107.0035
	Cover Cable Outer 15' Complete		107.0047
	Cover Cable Outer 25' Complete		107.0051
46	Support Cable Push-Pull		090.9015
47	Support Adapter Complete with spring		501.1976
48	Screw Slotted Head M4 x 6	10 Pieces	000.0552
49	Nut Adapter		500.0213
50	Block Adapter Central Rear PPG (includes 43, 51-52)		501.0005
51	Nut Liner Retaining M10 x 1		501.0082
52	O-Ring 4.16 x 1.07mm	10 Pieces	165.0002
53	Trigger Lead Jumper-Rear		175.9077
54	Spring Support Rear (Included with 501.1976)		500.0235



59



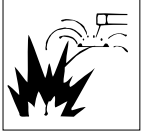
ITEM NO.	DESCRIPTION	SPECIFICATIONS	PART NUMBER
	FOR STEEL WIRES		
55	Liner Steel 024"-030" 17'	for 10', 15' guns	122.9001
	Liner Steel 024"-030" 28'	for 25' guns	122.9009
55	Liner Steel 035"-045" 17'	for 10', 15' guns	122.9007
	Liner Steel 035"-045" 28'	for 25' guns	122.9012
55	Liner Steel 052"-062" 17'	for 10', 15' guns	122.9003
	Liner Steel 052"-062" 28'	for 25' guns	122.9015
	FOR ALUMINUM WIRES		
56	Liner Hi-Life 024"-045" 17'	for 10', 15' guns	128.9040
	Liner Hi-Life 024"-045" 28'	for 25' gun	128.9038
56	Liner Hi-Life 052"-062" 17'	for 10', 15' guns	128.9041
	Liner Hi-Life 052"-062" 28'	for 25' gun	128.9039
56	Liner PA 024"-045" 17'	for 10, 15' guns	128.9004
	Liner PA 024"-045" 28'	for 25' gun	128.9014
56	Liner PA 052"-062" 17'	for 10, 15' guns	128.9007
	Liner PA 052"-062" 28'	for 25' gun	128.9016
	FOR STAINLESS STEEL WIRES		
56	Liner C-TFE 024"-030" 17'	for 10, 15' guns	127.9009
	Liner C-TFE 024"-030" 28'	for 25' gun	127.9012
56	Liner C-TFE 035"-045" 17'	for 10, 15' guns	127.9003
	Liner C-TFE 035"-045" 28'	for 25' gun	127.9011
56	Liner C-TFE 052"-062" 17'	for 10, 15' guns	127.9006
	Liner C-TFE 052"-062" 28'	for 25' gun	127.9010
57	Collect Plastic Liner 024"-045"	10 Pieces	131.0001
	Collect Plastic Liner 052"-078"	10 Pieces	131.0002
58	O-Ring 3.5 x 1.5mm	10 Pieces	165.0008
59	Wrench Contact Tip		191.0001



WARNING

Read and follow the manufacturer's instructions, employer's safety practices, and Material Safety Data Sheets (MSDSs).

Only qualified personnel should install, use, or service this material and/or equipment



WELDING SPARKS can cause fire or explosion

- Do not weld near flammable material
- Do not weld on closed containers.
- Remove combustibles from the work area and/or provide a fire watch.
- Avoid oily or greasy clothing as a spark may ignite them.



ARC RAYS can injure eyes and burn skin

- Always wear correct eye, ear, and body protection
- Always wear a welding helmet with the proper grade filter lens. Protect yourself and others from spatter arc flash rays by using protective screens, barriers and welding curtains.
- Always wear protective gloves and clothing to cover exposed skin. This will aid in the prevention of arc and spatter burns.



ELECTRIC SHOCK can kill.

- Always wear dry installing gloves
- Do not touch live electrical parts.
- Always disconnect power source before hooking up or changing electrodes, nozzles and other parts.



FUMES AND GASES can be hazardous to your health.

- Keep your head out of the fumes
- Use enough ventilation or exhaust at the arc to keep fumes and gases from your breathing zone, and general area.
- Fumes from cutting and welding can deplete air quality, causing injury or death. Always wear an air supplied respirator in confined areas, or if breathing air is not safe.



LOUD NOISE can damage hearing.

- Always wear protective hearing devices to ensure protection when noise levels exceed OSHA standards.

Alexander Binzel Corporation
650, Medimmune Ct., Suite 110, Frederick, MD 21703-8619
Tel: 301.846.4196 Fax: 301.846.4497 www.abicorusa.com

Read American National Standard Z49.1, "Safety in Welding, and Cutting, and Allied Processes," available from American Welding Society, 8669 NW 36 St #130, Doral, FL 33166; OSHA Safety and Health Standards, available from U.S. Government Printing Office, Washington, DC 20402.

ID 123-4567CI

Binzel S.A. de C.V.
Municipio de Pabellon de Arteaga 102
Valle de Aguascalientes 20358
San Francisco de los Romo, Ags. MEXICO
R.F.C.: BSC 980824 R84
Tel: +52(449) 9730133
Fax: +52 (449)973188

E-mail: binzel@prodigy.net.mx

Alexander Binzel Corporation
650 Medimmune Ct., Suite 110
Frederick, MD 21703-8619
Tel: 301.846.4196
Fax: 301.846.4497
www.abicorusa.com



1.800.542.4867